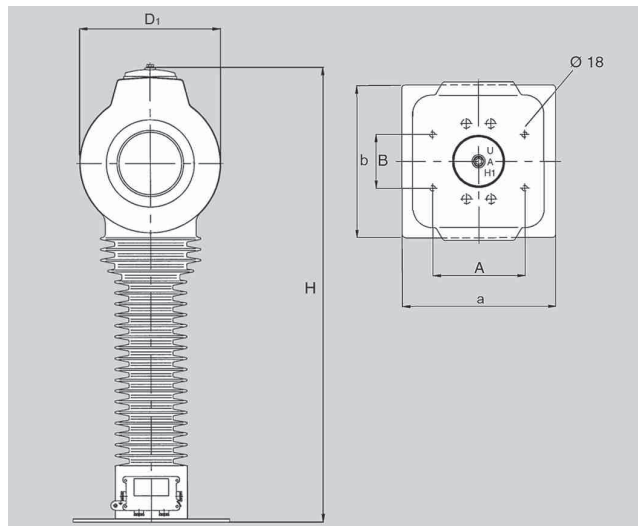




VEF

Voltage Transformer Outdoor Head Type

VEF 52 | 72,5



TYPE VEF Dimensions mm		
	VEF 52	VEF 72,5
A	300	300
B	175	175
a	500	500
b	500	500
D ₁	450	450
H	1217	1322

TYPE VEF				
			VEF 52	VEF 72,5
U _m		kV	52	72,5
Test voltages		kV	95 250	140 325
Rated Primary Voltage – U _{PN}		V	45000/√3 50000/√3	60000/√3 66000/√3
Rated Secondary Voltage – U _{SN}		V	100/√3 110/√3	
Rated Secondary Voltage for the Earthing Core(en)		V	100/3 110/3	
Rated Output in Accuracy Class (IEC)	0,2	VA	80	60
	0,5	VA	200	160
	1,0	VA	400	320
Thermal Limit Current		A	12	12
Thermal Limit Current at 1,9 x U _n / 8h		A	9	9
Frequency		Hz	50 60	
Creepage Distance		mm	1910	2350
Weight		kg	170	200

Subject to Technical Changes



GERMANY HAMBURG • WIRGES • KIRCHAICH • DRESDEN
AUSTRIA MARCHTRENK | HUNGARY KECSKEMÉT | CHINA SHANGHAI | USA LAVONIA

