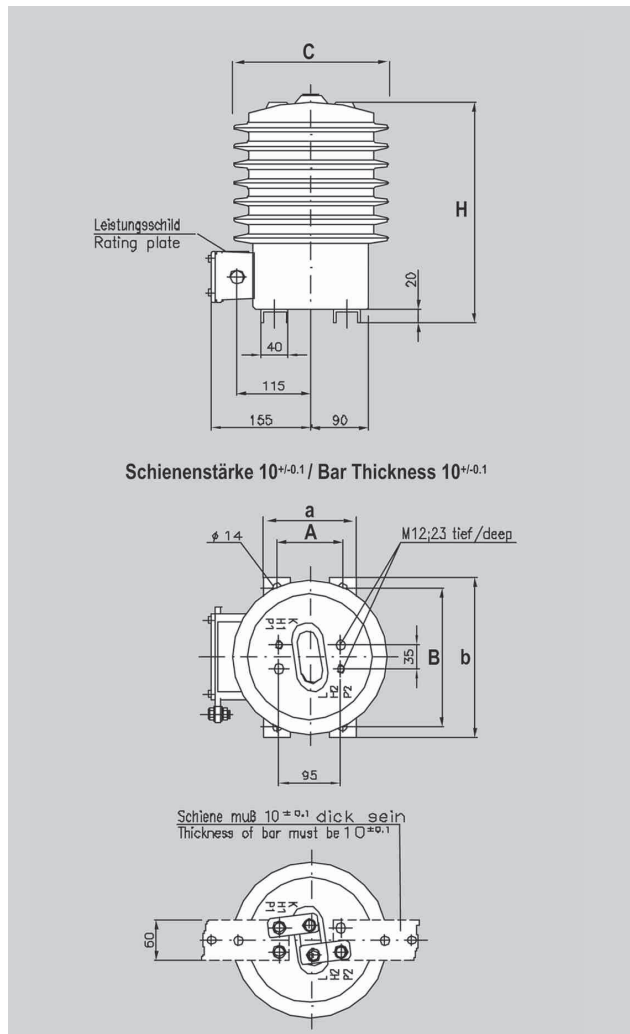




GIFK

Support Type Current Transformer Outdoor Compact Type

GIFK 12 | 17,5 | 24 | 36



TYPE GIFK	Dimensions mm	
	GIFK 12 17,5 24	GIFK 36
A	100	100
B	200	200
a	140	140
b	240	240
C	235	235
H	335	419

TYPE GIFK		GIFK 12	GIFK 17,5	GIFK 24	GIFK 36
U_m	kV	12	17,5	24	36
Test voltages	kV	28 75	38 95	50 125	70 170
Rated Primary Current – I_{PN}	A	up to 1250			
Rated Secondary Current – I_{SN}	A	1 5	1 5	1 5	1 5
Rated Short Time Thermal Current – I_{th}		up to 1000 x I_{PN} max. 63 kA			
Rated peak Current – I_{dyn}		2,5 x I_{th} , max. 100 kA			
Core(s), Number of Cores		Must be determined on the basis of the requirements accuracy class, over-current value, burden			
Frequency	Hz	50 60			
Creepage Distance	mm	486	486	486	650
Weight	kg	22	22	22	30

Subject to Technical Changes



GERMANY HAMBURG • WIRGES • KIRCHAICH • DRESDEN
AUSTRIA MARCHTRENK | HUNGARY KECSKEMÉT | CHINA SHANGHAI | USA LAVONIA

