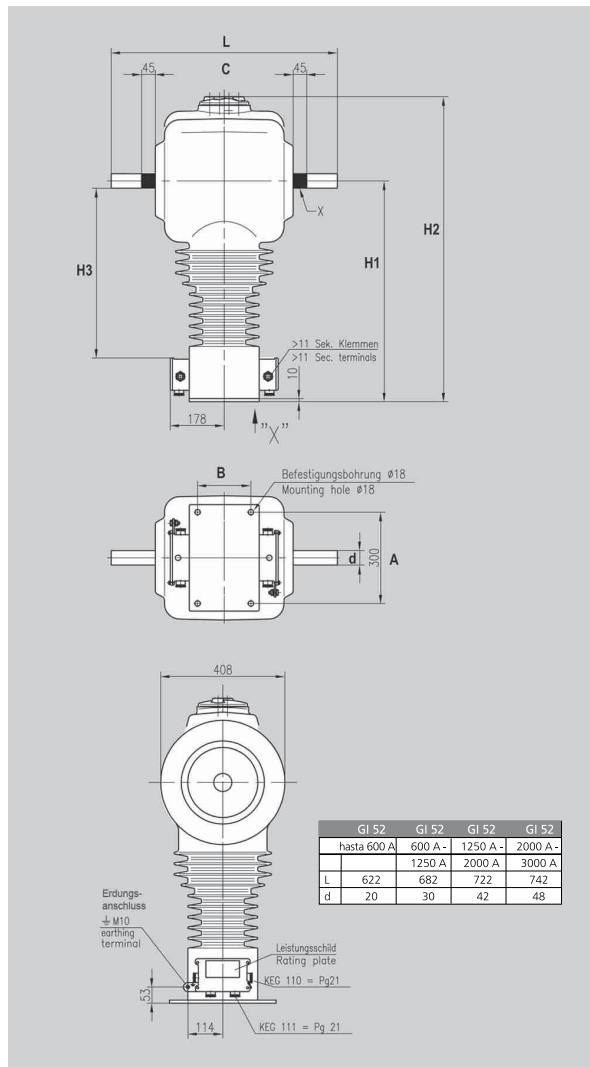




GI

Current Transformer Indoor Head Type GI 52



TYPE GI Dimensions mm	
	GI 52
A	175
B	300
a	230
b	350
C	452
H ₁	725
H ₂	1002
H ₃	557,5

TYPE GI		
		GI 52
U _m	kV	52
Test voltages	kV	95 250
Rated Primary Current – I _{PN}	A	up to 3000
Rated Secondary Current – I _{SN}	A	1 5
Rated Short Time Thermal Current – I _{th}		up to 1000 x I _{PN} max. 100 kA
Rated Peak Current – I _{dyn}		2,5 x I _{th}
Core(s), Number of Cores		Must be determined on the basis of the requirements accuracy class, over-current value, burden
Frequency	Hz	50 60
Weight	kg	147

Subject to Technical Changes



GERMANY HAMBURG • WIRGES • KIRCHAICH • DRESDEN
AUSTRIA MARCHTRENK | HUNGARY KECSKEMÉT | CHINA SHANGHAI | USA LAVONIA

