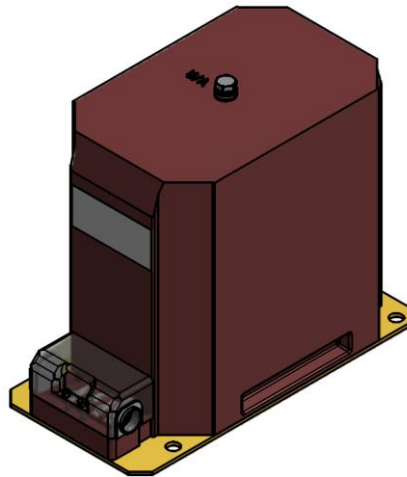




Data sheet

GSES24D with optional extended frequency range (wideband transformer)



- Inductive, single-pole voltage transformer $U_m=24$ kV
- Optimised frequency transfer characteristics up to 9 kHz
- Specifically designed for applications in the power quality field
- Slimline design to DIN 42600
- Calibratable (50 Hz)

General description

If there are higher frequencies than the mains frequency, inductive voltage transformers always indicate resonances within a few kHz in the transmission path. The position of the resonance point shifts downwards with increasing rated voltage. The measuring accuracy of harmonics and interharmonics with the aid of an inductive measuring transformer in relation to the voltage quality in medium voltage networks is therefore limited.

The GSES24D with optional extended frequency range is optimised for future standards and measurements up to 9 kHz, i. e. no resonances occur up to this frequency. A proven transformer principle is applied. This single-pole voltage transformer is used in 20 kV medium voltage networks. In addition to permanent monitoring of PQ requirements at grid transition points (EN 50160), the use for permanent monitoring of non-linear equipment is also conceivable.

Subject to technical modifications. Images for reference only. Version: 11/07/2016

www.ritz-international.com | info@ritz-international.com



Data sheet

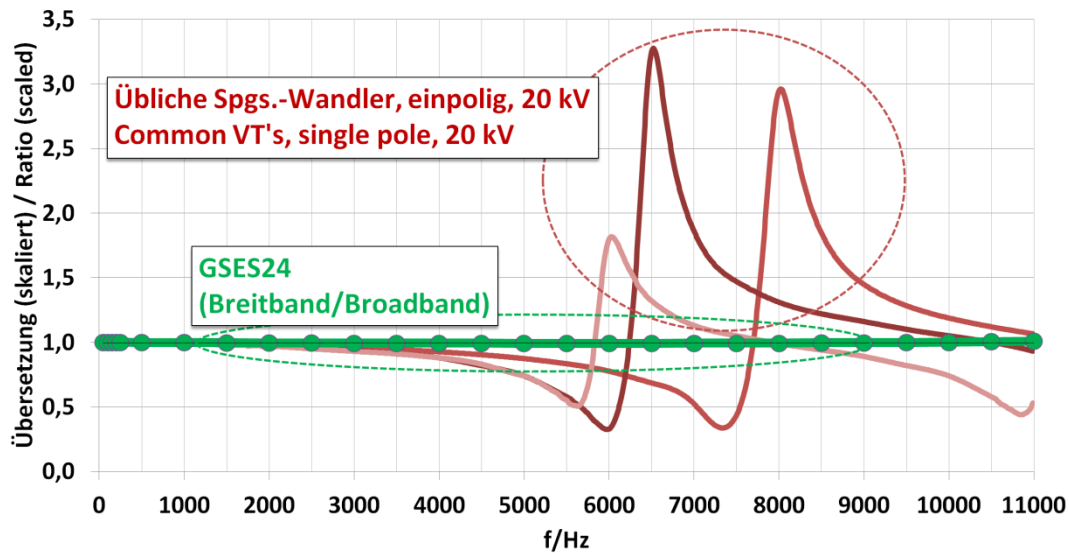


Figure: Typical frequency response of the optional frequency optimised GSES24D (green line) compared with conventional 20 kV voltage transformers.

Specification (Example – further data on request)

General	
Standards	IEC 61869-3, DIN 42600
Insulation	24 / 50 / 125 kV
Ambient temperature	-5 °C ... +40 °C
Weight	25 kg
Class of insulation material	E

Rated data for line frequency	
Frequency	50 Hz
Voltage	20 kV / $\sqrt{3}$
Voltage factor	1.9 x U_N , 8 h
Measuring coil (a-n)	100 V / $\sqrt{3}$
Output	15 VA
Class	0.2
Thermal limit	580 VA _{th}
Earth fault protection (da-dn)	
Output	100 VA
Class	6P

Additional PQ data	
Frequency range	50 Hz ... 9 kHz
Accuracy	< 3 % (measurement according to the frequency sweep test with 1 % U_N)
Output	0 ... 5 VA

Order reference: "GSES24D with frequency option"

Subject to technical modifications. Images for reference only. Version: 11/07/2016

www.ritz-international.com | info@ritz-international.com