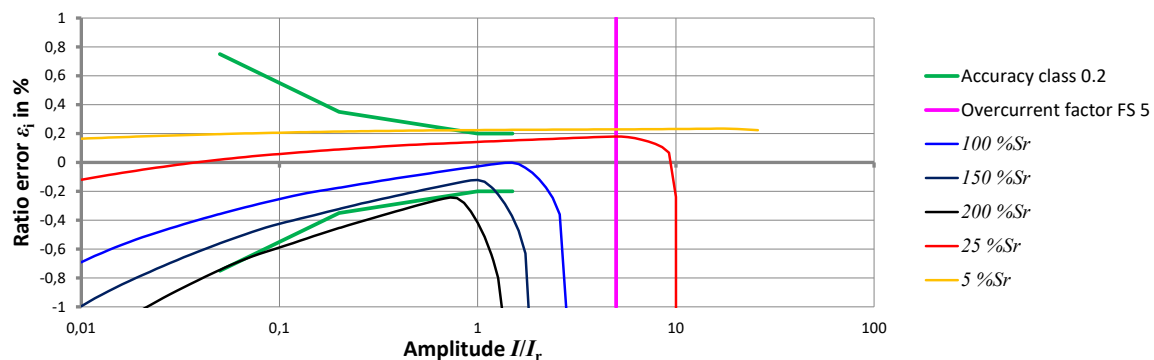




Compact product knowledge: Additional burden

To ensure that the measurement results meet the required accuracy class and that the protection function (FS) is guaranteed, sufficient burdening of the instrument transformers is necessary. The burden depends on both the connected measuring devices and the cables used. Factors such as conductor cross-section, cable length, and the secondary rated current (1 A or 5 A) influence the total power consumption.

The power requirement of the measuring equipment can be found in the data sheets provided by the respective manufacturers and is typically below 0.5 VA per device.

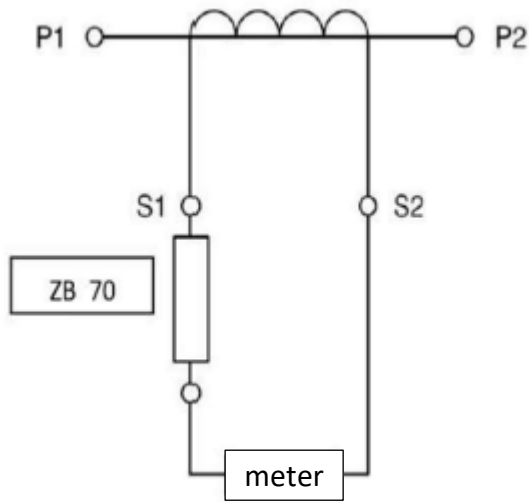


The ZB 70 and ZB 100 additional burdens are resistive loads that enable sufficient burdening without the need to replace the transformer. They ensure that even in cases where the instrument transformer is only lightly loaded, at least one quarter of the rated burden is reached.

The additional burdens are installed in series with the measuring device and are available in different power ratings for 1 A or 5 A. An optional snap-on adapter is available for easy DIN rail mounting.



Compact product knowledge: Additional burden



For more information about our additional burdens, please refer to the corresponding technical data sheets.

