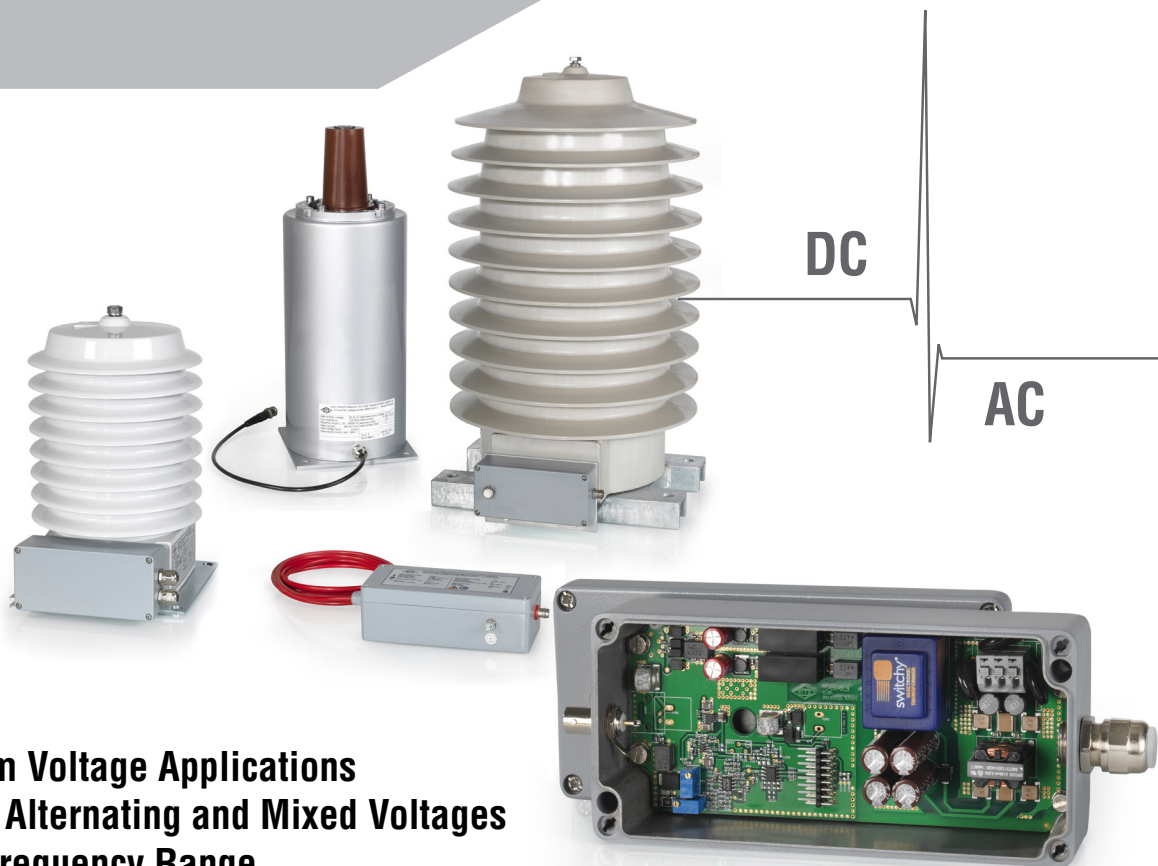




ELECTRONIC VOLTAGE TRANSFORMER

EVBA x06

DC AND AC VOLTAGE DIVIDER WITH BUFFER AMPLIFIER



- **Medium Voltage Applications**
- **Direct, Alternating and Mixed Voltages**
- **Wide Frequency Range**



GERMANY HAMBURG • WIRGES • KIRCHAICH • DRESDEN
AUSTRIA MARCHTRENK | HUNGARY KECSKEMÉT | CHINA SHANGHAI | USA HARTWELL



FEATURES

- High precision electronic voltage transformer
- Decoupling between sensor and burden
- Excellent signal-to-noise ratio (SNR)
- High electromagnetic compatibility (EMC)

APPLICATION

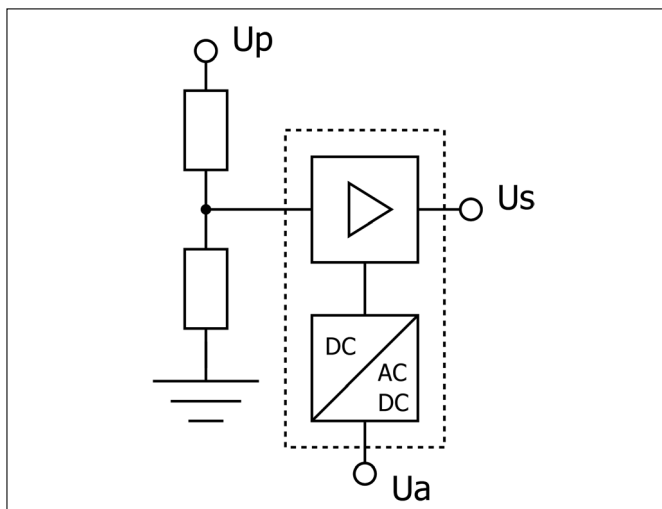
The electronic voltage transformer EVBA x06 measures direct, alternating and mixed voltages with high accuracy for e.g. motor management and power quality analysis. Its area of application are indoor medium voltage installations, which require the voltage divider to be independent of the connected burden.

The EVBA x06 is an alternative to conventional voltage transformers once the primary voltage contains DC components and/or higher frequencies.

DESCRIPTION

The EVBA x06 system consists of a low power passive voltage transformer (LPPVT) and a buffer amplifier. The voltage divider inside the LPPVT transforms the primary voltage U_p to a low voltage, which is processed inside the electronics. For this processing, the auxiliary power supply U_a is required. Various protection devices make sure no high voltages can damage the electronics and the secondary equipment, since there is no galvanic isolation between the primary and secondary terminal. The buffer amplifier makes the LPPVT independent of the connected burden and allows the output signal to be fed into more than one secondary equipment, thus extending the performance of the LPPVT.

SCHEMATIC CIRCUIT DIAGRAM EVBA X06



TECHNICAL DATA

General

Type	EVBA x06
Application	High precision measurement purposes
Design	Voltage sensor with active electronics
Functional principle	Voltage divider
Standard	IEC 61869-6 / IEC 60044-7

Versions

EVBA 906	with GSER 16, up to 36 kV
EVBA 1006	with GSER 52, up to 72,5 kV
EVBA 1106	with GSER 3, up to 6 kV
EVBA 1206	with GBERA 12...36, up to 36 kV
EVBA 006	Stand-alone electronics

Electrical Data

Input

Rated primary voltage	U_{pr}	see sensor data
Primary voltage range	U_p	0 – U_m ⁽¹⁾
Highest voltage for equip.	U_m	6 – 72,5 kV
Primary capacitance	C_1	see sensor data
Primary resistance ($\pm 5\%$)	R_1	see sensor data
Rated frequency	f_r	50/60 Hz

Output

Rated secondary voltage	U_{sr}	3,25/ $\sqrt{3}$ V ⁽²⁾
Secondary voltage range	U_s	0 – 10 V
Rated burden	R_{br}	2 M Ω 50 pF ⁽²⁾
Burden range	R_b	100 k Ω – ∞ 0 – 2 nF
Max. secondary current	I_{smax}	30 mA, short-circuit proof
Max. secondary voltage	U_{smax}	< 20 V, over voltage protected

Accuracy

Accuracy class @ f_r	0,2
Accuracy up to 150 kHz	$\pm 5\%$
Rated phase offset	ϕ_{or} 0'
Signal-to-noise ratio	SNR 86 dB

Auxiliary Power Supply

Aux. supply voltage	U_a	24/110 VDC, 230 VAC
---------------------	-------	------------------------

Power Supply Terminal

Connector type	Push-in CAGE CLAMP [®]
Cable type	- LiYCY 2x0,75 mm ² (indoor) - ÖLFLEX HEAT [®] 125 C MC 2x0,75 mm ² (outdoor)

Cable length	≤ 10 m ⁽³⁾
--------------	----------------------------

Secondary Terminal

Connector type	Push-in CAGE CLAMP [®] , BNC/TNC
Cable type	LiYCY-CY, 2x2x0,14 mm ²
Cable length	≤ 10 m ⁽³⁾

Electrical Isolation

U_a vs. all ports incl. GND 1500 V (50 Hz, 1 min)

Insulation level

Lightning impulse withstand see sensor data

Power frequency withstand see sensor data

Service conditions

Environment Indoor/outdoor

Temperature class -25/40

Storage temperature -40 – 85 °C

Mechanical Data

Creepage distance see sensor data

Flashover distance see sensor data

Insulator color see sensor data

Size (L x W x H, electronics) 175 x 80 x 57 mm

Weight, approx. (electronics) 750 g

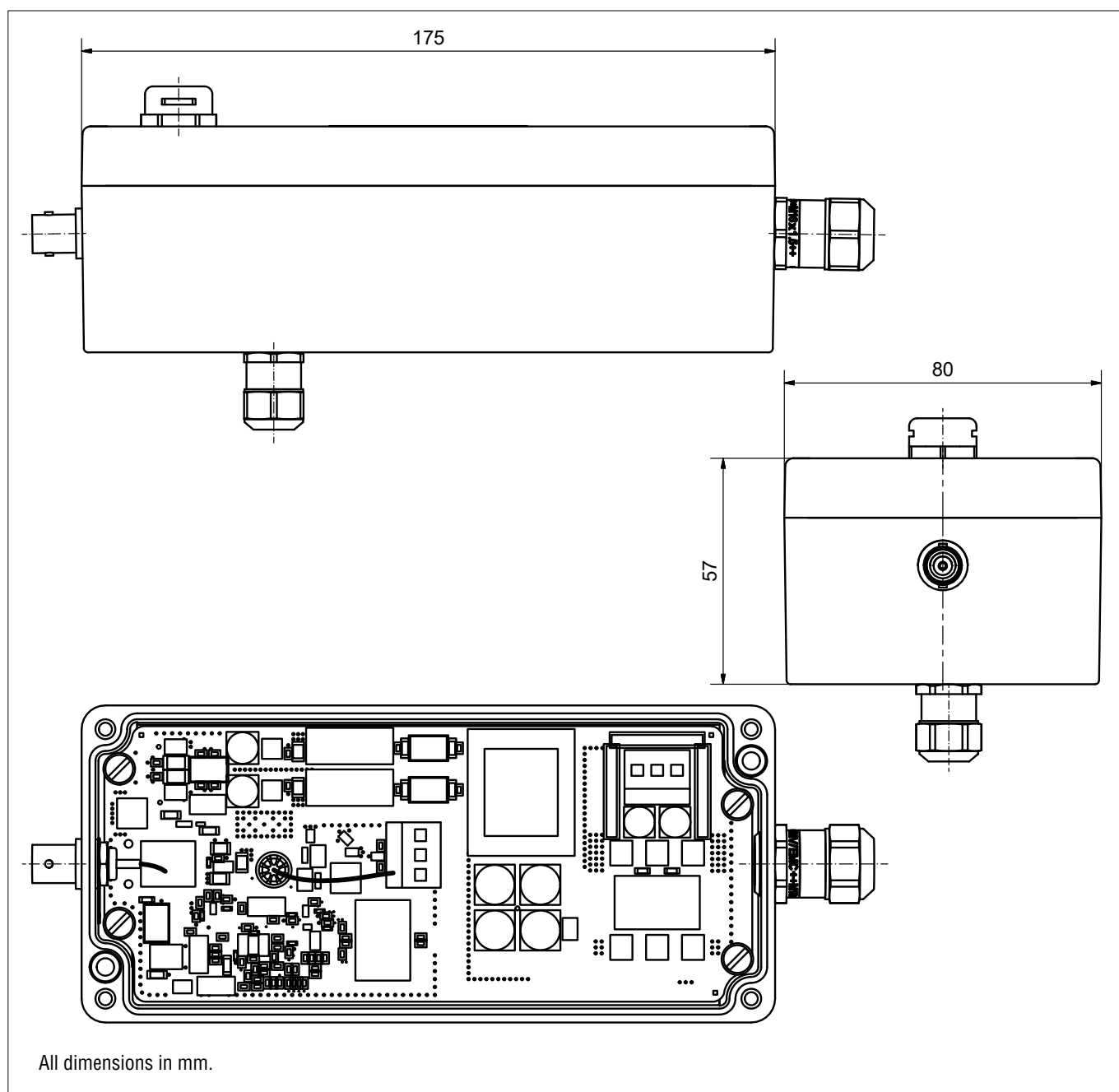
NOTES:

(1) For higher voltages, contact RITZ

(2) Example value, other values on request

(3) The cable is not part of the EVBA x06. If desired, it can be ordered in addition.

OUTLINE DRAWING



EXPERIENCE AND SOLUTIONS | TOGETHER!

RITZ INSTRUMENT TRANSFORMERS GmbH

Wandsbeker Zollstr. 92-98

22041 Hamburg

Germany

Phone: +49 40 511 23 - 0

Fax: +49 40 511 23 - 111

Email: info@ritz-international.com

We are the leading specialist for instrument transformers, cast resin parts, solid bus bar systems and power transformers.

We develop your standard equipment, but also translate your ideas into customized products. Tell us your requirements, we develop the solution.

For more information visit www.ritz-international.com or contact us at info@ritz-international.com

