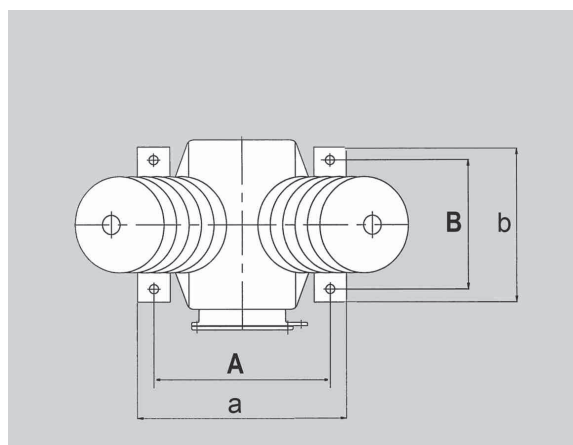
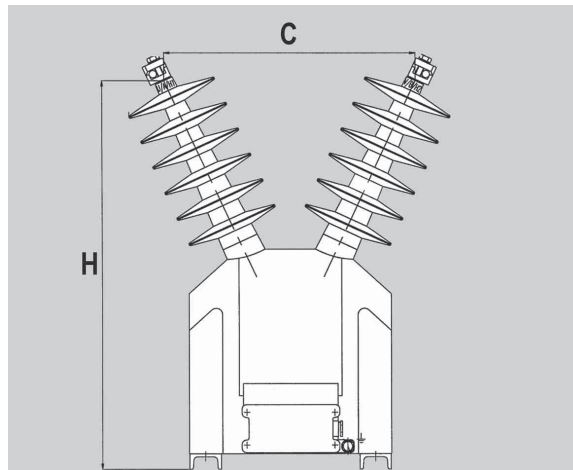




VZF

Voltage Transformer Outdoor
VZF 12 | 17,5 | 24 | 36



TYPE VZF Dimensions mm				
	VZF 12	VZF 17,5	VZF 24	VZF 36
A	270	270	270	270
B	160	160	160	200
a	310	310	310	320
b	185	185	185	240
C	190	320	320	400
H	380	490	490	622

TYPE VZF						
			VZF 12	VZF 17,5	VZF 24	VZF 36
U _m		kV	12	17,5	24	36
Test voltages		kV	28 28 75	38 38 95	50 50 125	70 70 170
Rated Primary Voltage – U _{PN}		V	10000 11000	13800 15000	20000 22000	30000 33000
Rated Secondary Voltage – U _{SN}		V	100 110			
Rated Output in Accuracy Class (IEC)	0,2	VA	40	40	40	50
	0,5	VA	100	100	100	100
	1,0	VA	200	200	200	200
Thermal Limit Current		A	6	6	6	9
Frequency		Hz	50 60			
Creepage Distance		mm	400	745	745	900
Weight		kg	34	37	37	57

Subject to Technical Changes



GERMANY HAMBURG • WIRGES • KIRCHAICH • DRESDEN
AUSTRIA MARCHTRENK | HUNGARY KECSKEMÉT | CHINA SHANGHAI | USA LAVONIA

