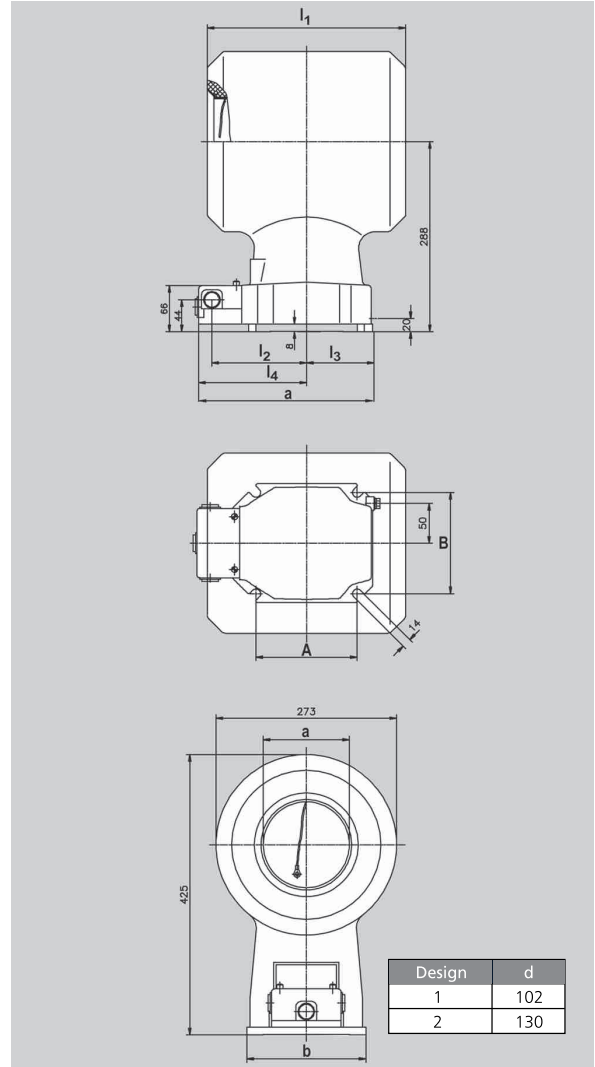
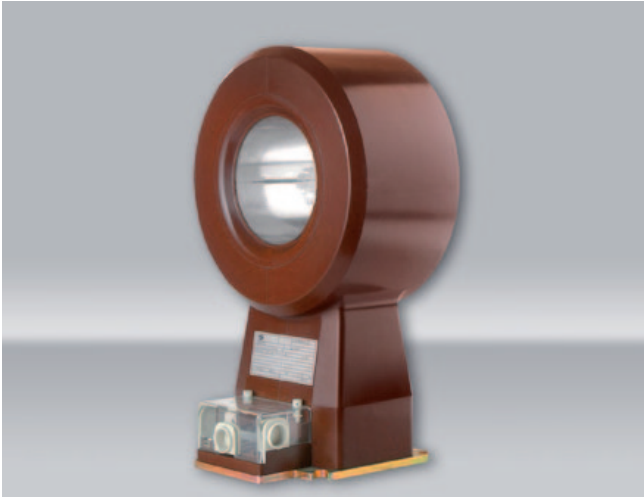




GSSO

High Current Transformer Indoor GSSO 12 | 17,5 | 24



TYPE GSSO Dimensions mm			
Size	0	3	4
A	135	155	305
B	155	155	155
a	207	269	419
b	180	180	180
l ₁	150	300 ⁺²	450 ⁺³
l ₂	105	145	220
l ₃	82	102	177
l ₄	125	167	242

TYPE GSSO				
		0	3	4
U _m	kV	12 24	12 24	12 24
Test voltages	kV	50 125	50 125	50 125
Rated Primary Current – I _{PN}	A	100 up to 4000		
Rated Secondary Current – I _{SN}	A	1 5	1 5	1 5
Rated Short Time Thermal Current – I _{th}		up to 1000 x I _{PN} max. 200 kA		
Rated Peak Current – I _{dyn}		2,5 x I _{th}		
Core(s), Number of Cores		Must be determined on the basis of the requirements accuracy class, over-current value, burden		
Frequency	Hz	50 60		
Weight	kg	21	34	70

Subject to Technical Changes



GERMANY HAMBURG • WIRGES • KIRCHAICH • DRESDEN
AUSTRIA MARCHTRENK | HUNGARY KECSKEMÉT | CHINA SHANGHAI | USA LAVONIA

